

XVR-116G3



Key Features

- Support H.265/H.264 video formats
- Support audio over coaxial cable(only for TVI cameras)
- Support TVI, AHD, CVI, CVBS, IP cameras with adaptive access
- 16-channel BNC input
- Support 1-ch HDMI output, 1-ch VGA output at up to 1920*1080
- Long transmission distance over coaxial cable
- Supports mainstream cameras of ONVIF and RTSP protocols

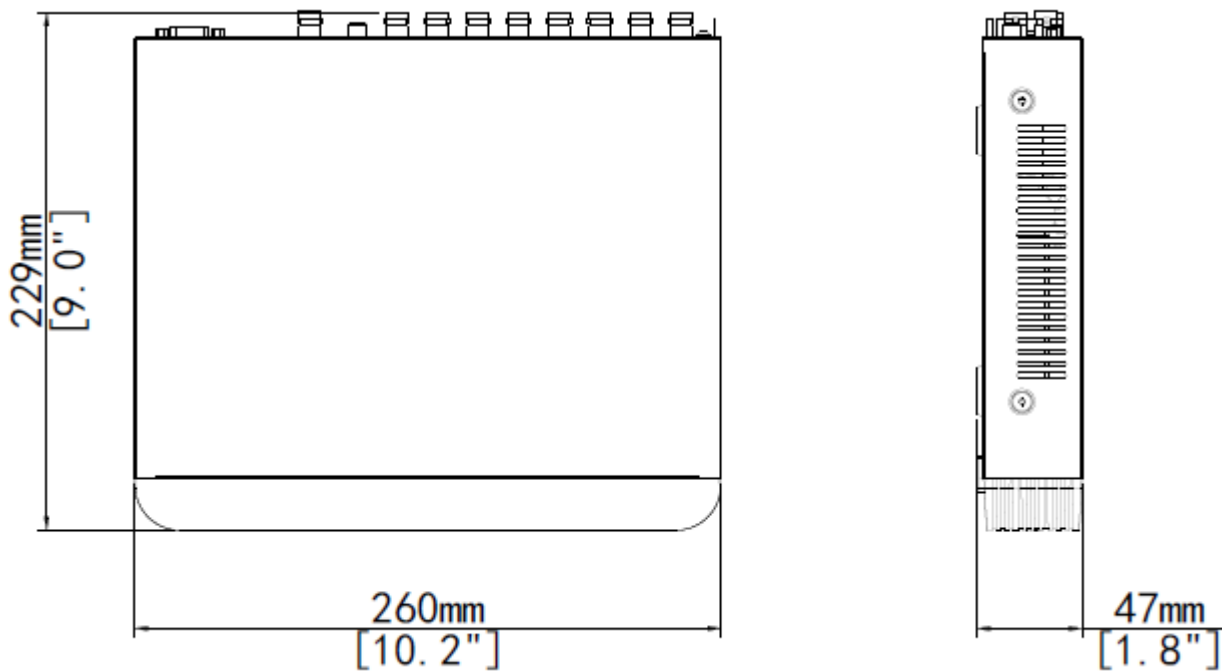
Specifications

Model	XVR-116G3
Video/Audio Input	
Analog Video Input	16-ch, BNC
IP Video Input	8-ch(up to 16-ch after analog camera conversion)
Supported Analog Camera Types	<p>Support AHD input: 5MP@12fps 4MP@15fps 1080P@30fps 720P@30fps</p> <p>Support TVI input: 5MP@12fps 4MP@15fps 1080P@30fps 720P@30fps</p> <p>Support CVI input: 1080P@30fps 720P@30fps</p> <p>Support CVBS input</p>
Audio Input	1-ch, RCA

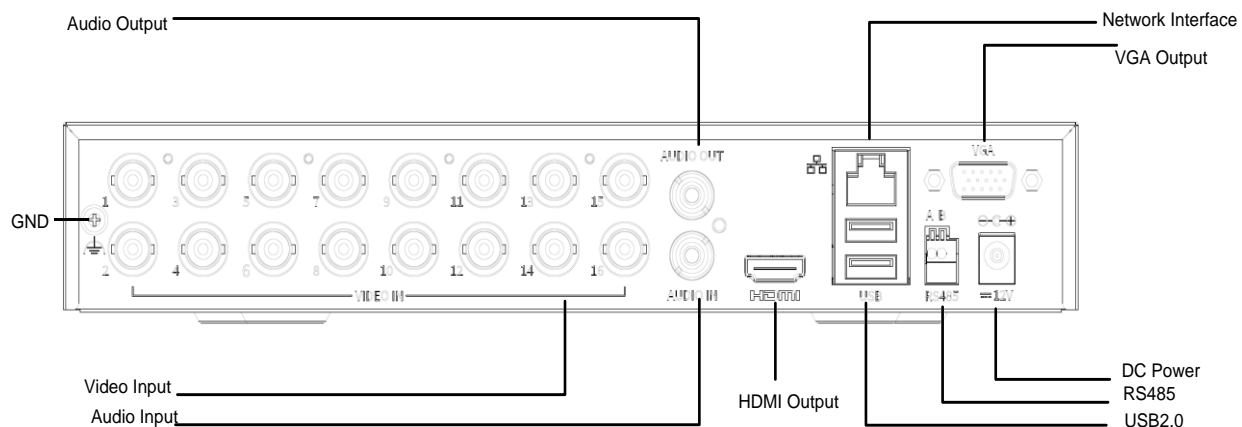
Audio Compression	G.711U	
Network		
Incoming Bandwidth	40Mbps (up to 56Mbps after all analog camera conversion)	
Outgoing Bandwidth	64Mbps	
Remote Users	128	
Protocols	TCP/IP, P2P, UPnP, DHCP, HTTP, HTTPS, DNS, DDNS, SMTP	
Browser	IE10/11 for Windows Firefox (version 52.0 and above) for Windows Chrome(version 45 and above) for Windows Edge(version 79 and above) for Windows	
Video/Audio Output		
VGA Output	1920x1080/60Hz, 1920x1080/50Hz, 1600x1200/60Hz, 1280x1024/60Hz, 1280x720/60Hz, 1024x768/60Hz	
HDMI Output	1920x1080/60Hz, 1920x1080/50Hz, 1600x1200/60Hz, 1280x1024/60Hz, 1280x720/60Hz, 1024x768/60Hz	
Audio Output	1-ch, RCA	
Synchronous Playback	HD:8-ch SD:16-ch	
Live view display	HDMI/VGA: 1/4/6/8/9/16/25	
Two-way Audio	1-ch, RCA	
Encoding		
Recording Resolution	5MP Lite/4MP Lite /1080P/1080P Lite/720P/CIF	
Recording Frame Rate	Main stream:	Sub stream:
	5MP Lite@6fps	D1@6fps
	4MP Lite@8fps	D1@8fps
	1080P Lite@12fps	D1@12fps
	720P@12fps	D1@12fps
Audio Sample Rate	8KHz,16 bit per channel	
Audio Bit Rate	64Kbps per channel	
Decoding		
Capability	Analog: 8 x 5MP Lite@6, 8 x 4MP Lite@8, 8 x 1080P Lite@12 IP: 1 x 8MP@30, 2 x 4MP@30, 4 x 1080P@30	
Hard Disk		
SATA	1 SATA interface	
Capacity	Up to 8TB for each HDD (The maximum HDD capacity varies with environment temperature)	
General Alarm		
General Alarm	By analog/IP camera: Motion detection	
Alert Alarm	IP Conflict, Network Disconnected, Disk offline, Disk Abnormal, Illegal Access, Running Out of Space, Space Used Up, Recording Abnormal	
External Interface		
Network Interface	1RJ45 10M/100M self-adaptive Ethernet Interface	

USB Interface	Rear panel:2 x USB2.0
Serial Interface	1 x RS485
General	
Power Supply	12V DC Power Consumption: ≤ 10 W(without HDD)
Working Environment	-10°C ~ + 55°C (+14°F ~ +131°F), Humidity ≤ 90% RH(non-condensing)
Dimensions(W×D×H)	260mm × 229mm × 47mm (10.2" × 9.0" × 1.8")
Weight (without HDD)	≤1.1 Kg (2.42lb)
Certification	
Certification	CE/FCC/WEEE

Dimensions



Rear Panel



www.uniview.com/uniarch

©2022 Zhejiang Uniview Technologies Co., Ltd. All rights reserved.

*Product specifications and availability are subject to change without notice.