

Surface Mount Annunciator Box Kit Released

January 12, 2009
Document FLPA09-01-1

Fire-Lite is pleased to announce the availability of the new surface mount box kit ANN-SB80KIT-R (Red) and ANN-SB80KIT-W (White) to be installed with the ANN-80(-W) annunciator.

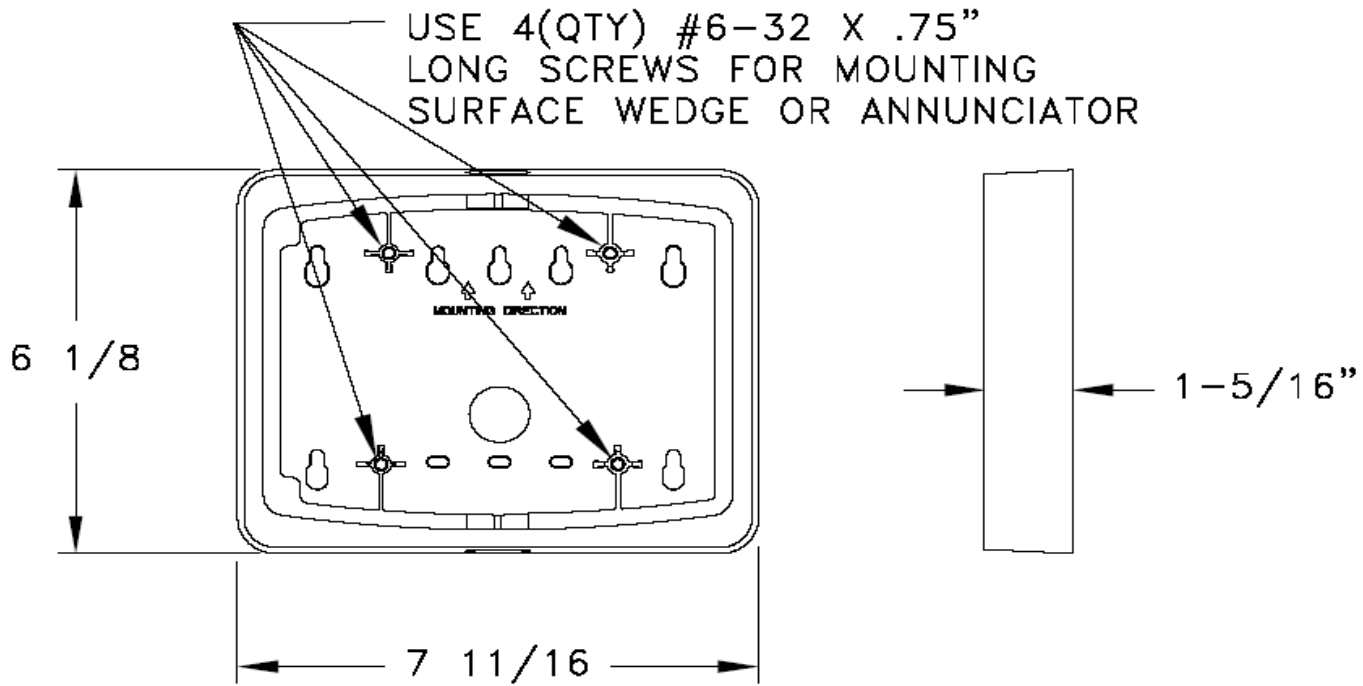
The ANN-SB80KIT-R (-W) contains the following:

- 1 surface mount plastic back box with 2 (QTY) 1/2 " NPT holes
- 1 surface wedge plastic accessory to provide 15 degree angled viewing
- 2 threaded plastic plugs, 1/2 " NPT
- Mounting hardware included

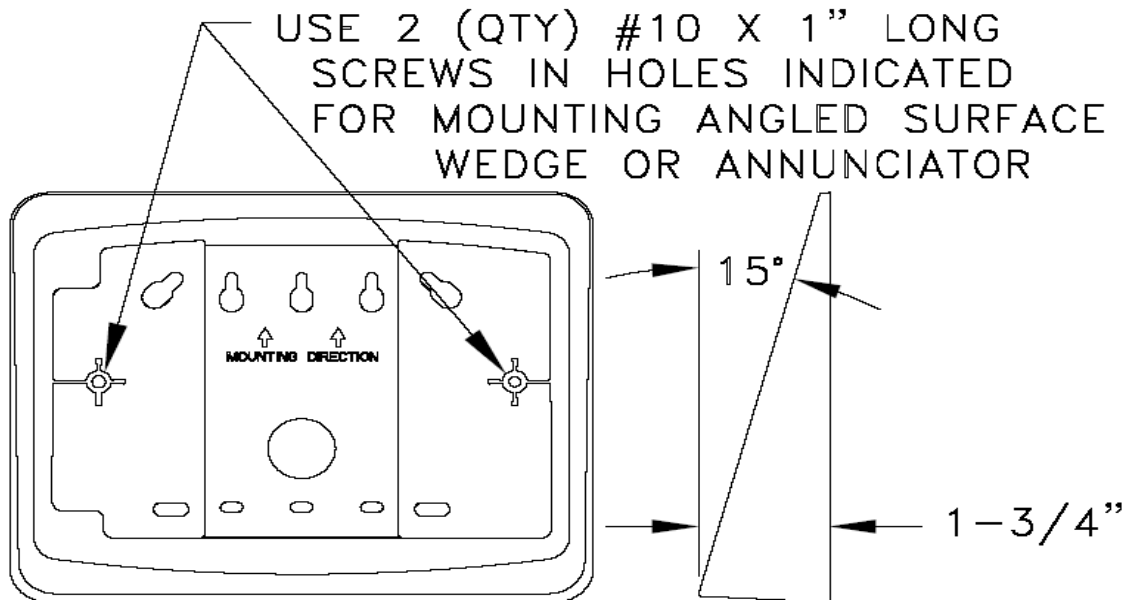


The ANN-80 annunciator (sold separately) shown above is installed over stacked back box and wedge.

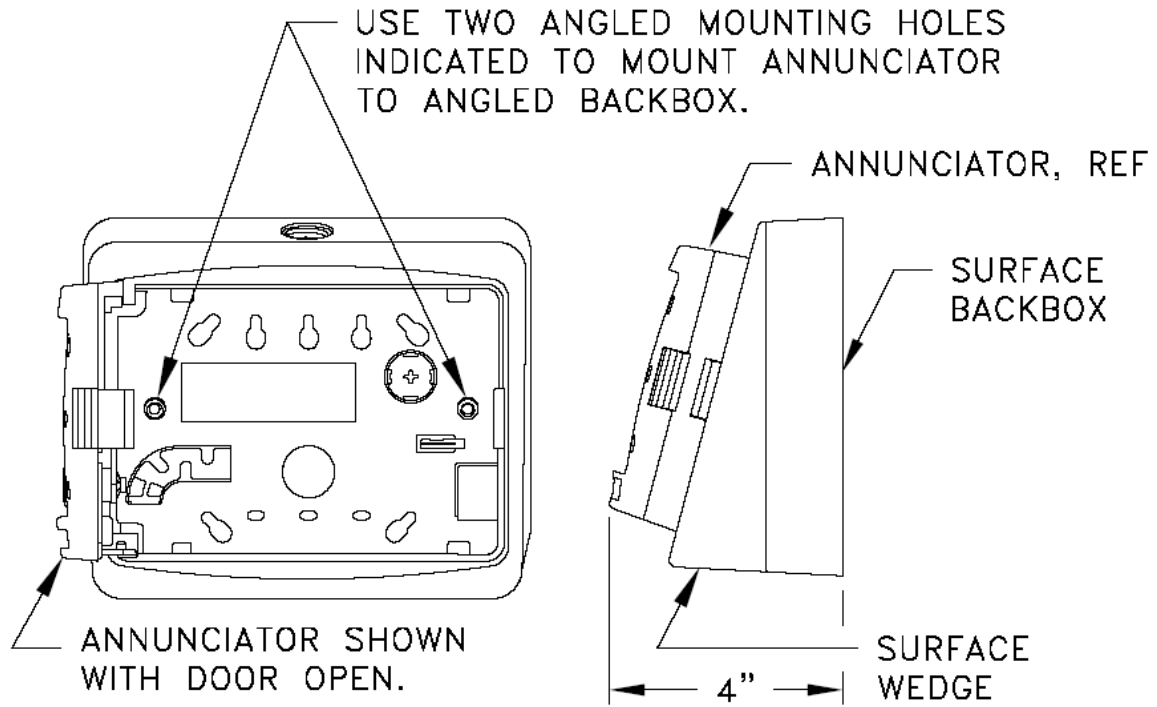
SURFACE BACKBOX:



SURFACE WEDGE: for angled viewing option



SURFACE BACKBOX AND WEDGE: for angled viewing option



The annunciator surface backbox and wedge can also be fitted to a standard single gang, gangable or 4 ' square electrical boxes.

To obtain pricing and place orders, please contact our Customer Service Department at [1-800-627-3473](tel:1-800-627-3473).

Sincerely,

Bill Brosig

Bill Brosig
Fire-Lite Product Manager