



From Tyco Security Products



D-306806

LC-181

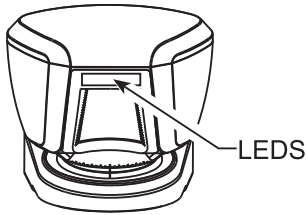
Outdoor Octa-Quad™ Mirror Detector with Anti-Mask Installation Instructions

Introduction

Detector's Features

- Patented 8 independent quad PIR detectors (Octa-QUAD™) operating in true Quad configuration with true motion recognition (TMR) processing for each of the 8 PIR detectors and central motion processing - can distinguish between a moving intruder and moving trees and bushes.
- Advance Obsidian Black Mirror™ optics (patent pending).
- High protection against snow, rain, dust, wind and direct sunlight.
- Tamper protection against opening and removal from wall.
- Alarm LED is visible in sunlight.
- Low voltage detection
- Self test
- Robust housing with recessed window.
- Smart anti masking can distinguish between masking spray and rain.
- Immunity to false alarms from small pets.
- Built-in swivel bracket.

Figure 1: LC-181



Specifications

Optical

Black Mirror Max. Coverage: At least 12 meters (40 ft)/90°.

Detector Technology: 8 independent quad PIR detectors operating in true Quad configuration.

Pet immunity: Small pets.

Electrical

Input Voltage: 8-16VDC

Standby Current: 15mA@12VDC.

Supply Current: 70 mA max. (red and yellow LEDs light steadily)

Low Voltage Detection: If input voltage is below 7.5 VDC

Outputs

Alarm output: Solid State Relay. NC, 100 mA / 30 V, 35 ohm maximum internal resistance. (see Table 4).

Trouble output: Solid State Relay. NC, 100 mA / 30 VDC, 35 ohm maximum internal resistance. (see Table 4).

Tamper output: NC switch, 50mA / 30 VDC. "Open" by opening detector's cover or removing it from mounting surface.

Masking detection delay: 120 sec.

Remote LED enable input (TST): High impedance input. Affects LEDs operation only if internal LEDs selector is set to OFF.

Mounting

Mounting type: Wall mounting

Mounting height: 1.5 - 3.0 meters (5 - 10 ft)

Vertical adjustment: 0° to -10°, in 2.5° steps.

Horizontal adjustment: -45° to +45°, in 5° steps.

Environmental

Operating Temperature: -35°C to 60°C (-31°F to 140°F)

Storage Temperature: -35°C to 60°C (-31°F to 140°F)

Humidity: 95% max.

White light immunity: Above 25000 lux

Physical

Dimensions (height x length x width): 157x147x124mm (6-3/16 x 5-13/16 x 4-7/8")

Weight: 600g (21 oz)

Color: White

Standards Compliance

CE

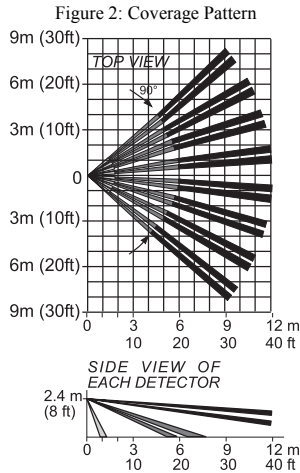
FCC CFR 47 Part 15

IP 55

Designed to Comply with:

EN 50131-2-2, Security Grade 2, Environmental class IV.

US Patents: 7250605, 6818881, 5693943. Other patents pending.



Installation

DIP Switches Setup

Remove the detector's bottom covers (see Figure 3, steps 4-8) to gain access to the DIP switches. Set the DIP switches according to Table 1:

Table 1: DIP Switch Setup

DIP SW #	Function	Description	Default
1	LEDs ON/OFF	ON: Motion and masking alarm LEDs is enabled (ON). OFF: Motion and masking alarm LEDs is disabled (OFF). Can be enabled by TST input (Active "low")	ON
2	PIR Sensitivity	ON: High PIR sensitivity. OFF: Normal PIR sensitivity.	OFF
3	AM ON/OFF	ON: AM on OFF: AM off*	ON
4	Masking event opens Alarm relay (EN standard)	ON: masking event reported to panel as TROUBLE and ALARM (EN standard). Trouble and Alarm relay opens at the same time.** OFF: masking event reported to panel as TROUBLE (Trouble relay opens).	OFF

*Switching from OFF to ON resets the detector for a stabilization period of 60 sec. and causes the detector to re-adapt to its current surroundings. Remain at a distance of at least 0.5 m (1.5 ft.) from the detector to prevent disruption of this process.

**Use ON for EN approved control panels / installations. However, many installers prefer not to have the ALARM relay opened on a masking event.

Installation

Bracket installation (see figure 3) – firmly fix the bracket on a stable wall or pillar. The orientation of the fixed bracket should be as parallel as possible to the surveyed ground surface.

Wiring

Perform wiring (see figure 3, step 8 - 10)

Adjustments

Adjust detector's horizontal and vertical angles (see Fig. 4, steps 1 - 6), according to the surveyed ground surface and close the detector, as shown in Fig. 3, steps 7 - 12.

The vertical angle indicator position for various installation height and coverage distance combinations is detailed in Table 2 (the information refers to a relatively flat surveyed area. however, in any case the correct installation should be verified by walk-test).

Table 2: Vertical Adjustment Reference

Mounting Height	Coverage Distance					
	2m / 6.7ft	4m / 13ft	6m / 20ft	8m / 26ft	10m/33 ft	12m/39 ft
3.0m / 9,8ft	-	1	2	2	3	3
2.5m / 8,2 ft	1	1	2	3	4	4
2.0m / 6,7 ft	1	2	3	4	5	5
1.5m / 4,9 ft	2	3	4	5	5	-

Note: The grayed-in cells in Table 2 are the installation alternatives recommended for further reducing false alarms from pets.

Note: To decrease false alarms, which can be triggered by pets, it is recommended to install the detector at a height of 2 to 2.5 meters from the ground surface. In addition, vertical adjustment must be fixed on #4 or #5 position. It is recommended to aim the detector at a background such as walls, houses, fences but not at open space.

Test

A. The detector enters Walk-Test mode after one of the following occurs:

- The 60-second stabilization period ends.
- DIP-SW1 position changes from OFF to ON.
- TST input state changes from OFF to ON.

Note: Regardless of the DIP-SW1 and TST input settings, the Alarm and AM LED indications are enabled in Walk-Test mode. Crossing a single beam causes the red LED to double-blink.

B. Walk into the detector's field of view at the expected far edge of the coverage area. Verify that each time your motion is detected the red LED lights for 2 seconds and the control panel receives the alarm. If required, perform detector's horizontal / vertical readjustments.

Important! Instruct the user to perform walk test at least once a week, to verify proper operation of the detector.

C. Place a piece of cardboard on the detector's front side, to deliberately mask the optical window. After 2 minutes, the yellow LED should light (see Table 3) and the alarm control panel should receive the masking alarm.

D. Remove the masking from the detector's front side. The LED should extinguish (after about 30 seconds).

Table 3: LED Operation

Event/Status	Indication
Low voltage	Red flashing
Warm-up (60sec.)	Yellow + Red flashing alternately
Self-test failure	Yellow + Red flashing simultaneously
AM detection	Yellow ON
ALARM	Red ON for 2 sec.
Crossing Beam during Walk-Test	Red Double blink

Table 4: Relay Outputs

Event/Status	Relay Output	
	Trouble	Alarm
Complete power failure	Open	Open
Standby	Closed	Closed
Low voltage	Open	Closed
Self-test failure	Open	Closed
AM detection DIP-SW4 = ON	Open	Open
AM detection DIP-SW4 = OFF	Open	Closed
Alarm	Closed	Open for 2 sec.

Cover Closure

See Figure 4, steps 7 - 10.

Figure 3: Installation

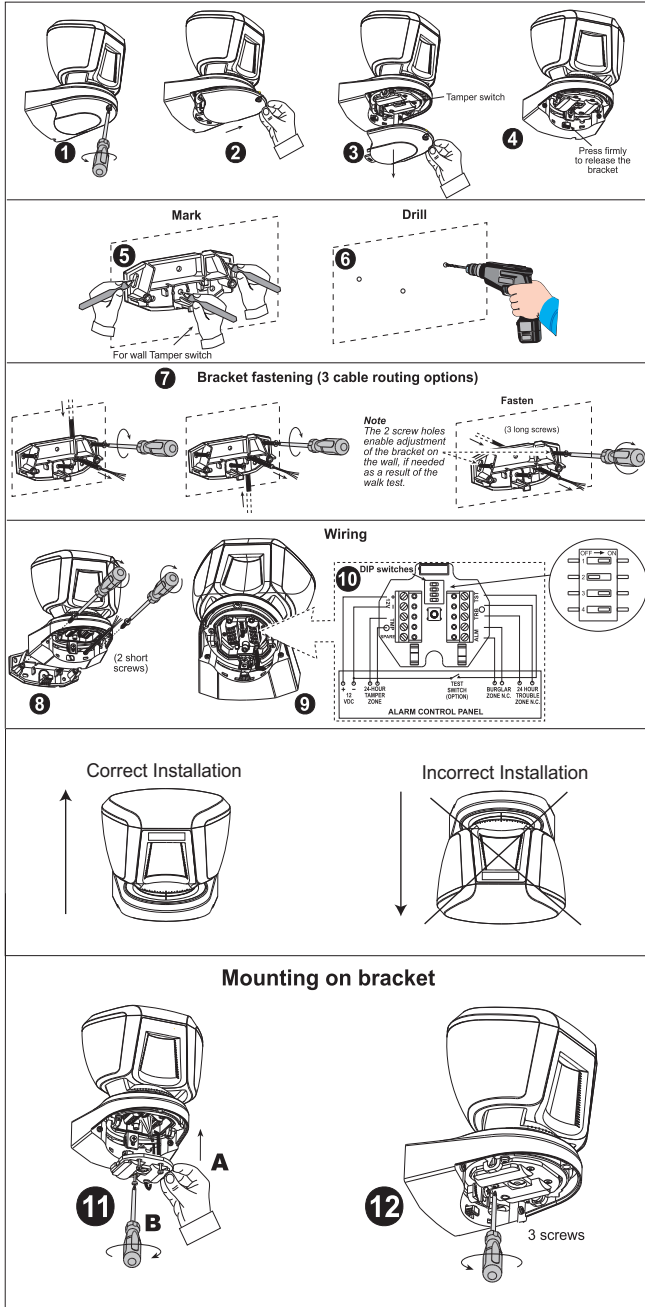
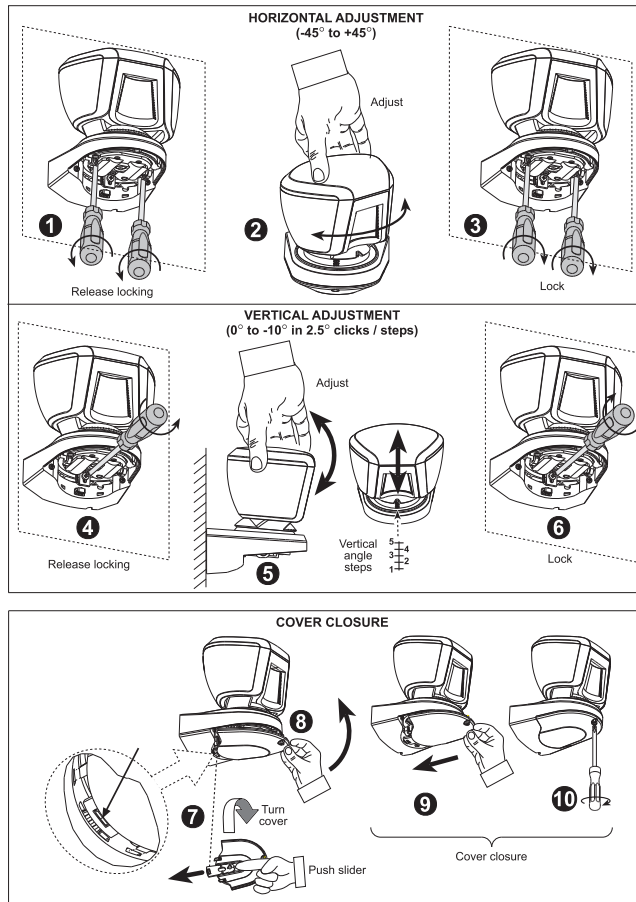


Figure 4: Adjustment and Cover Closure



Miscellaneous Comments

This equipment has been tested and found to comply with the limits for a Class B digital device, pursuant to Part 15 of the FCC Rules. These limits are designed to provide reasonable protection against harmful interference in a residential installation. This equipment generates, uses, and can radiate radio frequency energy and, if not installed and used in accordance with the instructions, may cause harmful interference to radio communications. However, there is no guarantee that interference will not occur in a particular installation. If this equipment does cause harmful interference to radio or television reception, which can be determined by turning the equipment off and on, the user is encouraged to try to correct the interference by one or more of the following measures:

- Reorient or relocate the receiving antenna.
- Increase the separation between the equipment and receiver.
- Connect the equipment to an outlet on a circuit different from that to which the receiver is connected.
- Consult the dealer or an experienced radio/TV technician.

FCC Warning! Modifications not expressly approved by Visonic Ltd. could void the user authority to operate the equipment under FCC rules.

Limited Warranty

Digital Security Controls warrants that for a period of 12 months from the date of purchase, the product shall be free of defects in materials and workmanship under normal use and that in fulfillment of any breach of such warranty, Digital Security Controls shall, at its option, repair or replace the defective equipment upon return of the equipment to its repair depot. This warranty applies only to defects in parts and workmanship and not to damage incurred in shipping or handling, or damage due to causes beyond the control of

Digital Security Controls such as lightning, excessive voltage, mechanical shock, water damage, or damage arising out of abuse, alteration or improper application of the equipment.

The foregoing warranty shall apply only to the original buyer, and is and shall be in lieu of any and all other warranties, whether expressed or implied and of all other obligations or liabilities on the part of Digital Security Controls. Digital Security Controls neither assumes, nor authorizes any other person purporting to act on its behalf to modify or to change this warranty, nor to assume for it any other warranty or liability concerning this product.

In no event shall Digital Security Controls be liable for any direct, indirect or consequential damages, loss of anticipated profits, loss of time or any other losses incurred by the buyer in connection with the purchase, installation or operation or failure of this product. Motion detectors can only detect motion within the designated areas as shown in their respective installation instructions. They cannot discriminate between intruders and intended occupants. Motion detectors do not provide volumetric area protection. They have multiple beams of detection and motion can only be detected in unobstructed areas covered by these beams. They cannot detect motion which occurs behind walls, ceilings, floor, closed doors, glass partitions, glass doors or windows. Any type of tampering whether intentional or unintentional such as masking, painting, or spraying of any material on the lenses, mirrors, windows or any other part of the detection system will impair its proper operation.

Passive infrared motion detectors operate by sensing changes in temperature. However their effectiveness can be reduced when the ambient temperature rises near or above body temperature or if there are intentional or unintentional sources of heat in or near the detection area. Some of these heat sources could be heaters, radiators, stoves, barbecues, fireplaces, sunlight, steam vents, lighting and so on.

Warning: Digital Security Controls recommends that the entire system be completely tested on a regular basis. However, despite frequent testing, and due to, but not limited to, criminal tampering or electrical disruption, it is possible for this product to fail to perform as expected.

Important Information: Changes or modifications not expressly approved by Digital Security Controls could void the user's authority to operate this equipment.

W.E.E.E. Product Recycling Declaration



For information regarding the recycling of this product you must contact the company from which you originally purchased it. If you are discarding this product and not returning it for repair then you must ensure that it is returned as identified by your supplier. This product is not to be thrown away with everyday waste.

Directive 2002/96/EC Waste Electrical and Electronic Equipment.



© 2017 Tyco Security Products, and its Respective Companies. All Rights Reserved. The trademarks, logos, and service marks displayed on this document are registered in the United States [or other countries]. Any misuse of the trademarks is strictly prohibited and Tyco Security Products, will aggressively enforce its intellectual property rights to the fullest extent of the law, including pursuit of criminal prosecution wherever necessary. All trademarks not owned by Tyco Security Products, are the property of their respective owners, and are used with permission or allowed under applicable laws. Product offerings and specifications are subject to change without notice. Actual products may vary from photos. Not all products include all features. Availability varies by region; contact your sales representative.

Toronto, Canada • www.dsc.com • Printed in Israel • Tech. Support: 1-800-387-3630 (Canada, US), 905-760-3000

LC-181

Instrucciones de instalación de detector con antienmascaramiento con espejo Octa-Quad™ para exteriores

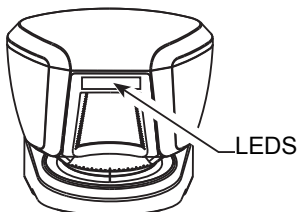
Introducción

Características del detector

- 8 detectores PIR Quad independientes patentados (Octa-QUAD™) que operan en una configuración Quad real con verdadero reconocimiento de movimiento (TMR) para cada uno de los 8 detectores PIR y procesamiento de movimiento central - puede distinguir entre un intruso en movimiento y árboles y arbustos en movimiento.
- Óptica avanzada Black Mirror™ (patente pendiente).

- Protección alta contra nieve, lluvia, polvo, viento y la exposición directa a la luz solar.
- Protección antisabotaje contra la apertura y a remoción del muro.
- La alarma LED es visible durante el día.
- Detección de corriente baja
- Autopruera
- Carcasa sólida con ventana empotrada.
- El antiemascaramiento inteligente tiene la capacidad de distinguir entre el aerosol para enmascarar y la lluvia.
- Inmunidad a las falsas alarmas provocadas por pequeños animales de compañía.
- Soporte pivotante integrado.

Figura 5: LC-181



Especificaciones

Óptico

Cobertura máxima del espejo negro: Al menos 12 metros (40 ft)/90°.

Tecnología del detector: 8 detectores PIR Quad independientes que operan en configuración Quad real.

Inmunidad a las mascotas: Pequeños animales de compañía.

Eléctrico

Alimentación: 8 a 16 VDC

Corriente en espera: 15 mA@12 VDC.

Suministro de corriente: 70 mA máx. (LED rojo y amarillo se iluminan incesantemente)

Detección de corriente baja: Si la corriente es menor de 7,5 VDC

Salidas

Salida de la alarma: Relevador de estado sólido. Resistencia interna máxima NC, 100 mA / 30 V, 35 ohm. (Ver Tabla 4).

Salida de problema: Relevador de estado sólido. Resistencia interna máxima NC, 100 mA / 30 VDC, 35 ohm. (Ver Tabla 4).

Salida de sabotaje: Interruptor NC, 50mA / 30 VDC. "Abrir" al abrir la cubierta del detector o removerlo de la superficie donde se encuentra montado.

Retraso de detección de enmascaramiento: 120 seg.

Entrada habilitada con LED remota (TST): Salida de impedancia alta. Afecta la operación de los LED solo si el selector de los LED internos se encuentra en APAGADO.

Montaje

Tipo de montaje: Montaje de pared

Altura de montaje: 1,5 a 3,0 metros (5 a 10 ft)

Ajuste vertical: 0° a -10°, en 2,5° pasos.

Ajuste horizontal: -45° a +45°, en 5° pasos.

Ambiental

Temperatura de operación: -35°C a 60°C (-31°F a 140°F)

Temperatura de almacenamiento: -35°C a 60°C (-31°F a 140°F)

Humedad: 95% máx.

Inmunidad a la luz blanca: Por encima de 25000 lux

Físico

Dimensiones (alto x largo x ancho): 157 x 147 x 124 mm (6-3/16 x 5-13/16 x 4-7/8")

Peso: 600 g (21 oz)

Color: Blanco

Cumplimiento de normativas

CE

FCC CFR 47 sección 15

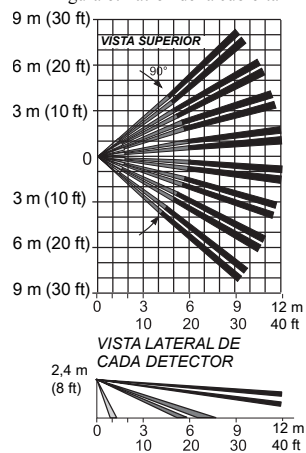
IP 55

Diseñado para cumplir con:

EN 50131-2-2, grado de seguridad 2, clase ambiental IV.

Patentes en EE. UU.: 7250605, 6818881, 5693943. Otras patentes pendientes.

Figura 6: Patrón de la cubierta



Instalación

Configuración de los interruptores DIP

Retire los fondos de las cubiertas de los detectores (véase figura 3, paso 4 al 8) para acceder a los interruptores DIP. Ajuste los interruptores DIP de acuerdo a la tabla 1:

Tabla 5: Configuración del interruptor DIP

DIP SW #	Función	Descripción	Predefinido
1	LED ENCENDIDO/APAGADO	ENCENDIDO: LED de la alarma de enmascaramiento y movimiento está activada (ENCENDIDO). APAGADO: LED de la alarma de enmascaramiento y movimiento está apagado (APAGADO). Puede habilitarse por entrada TST (activa "baja")	ENCENDIDO
2	Sensibilidad PIR	ENCENDIDO: Sensibilidad PIR alta. APAGADO: Sensibilidad PIR normal.	APAGADO
3	AM ENCENDIDO/APAGADO	ENCENDIDO: AM encendido APAGADO: AM apagado *	ENCENDIDO
4	Evento de enmascaramiento abre el relevador de Alarma (estándar EN)	ENCENDIDO: evento de enmascaramiento se ha reportado al panel como PROBLEMA y ALARMA (estándar EN). El relevador de Alarma y Problema se abre al mismo tiempo.** APAGADO: evento de enmascaramiento reportado al panel como PROBLEMA (el relevador de problema se abre).	APAGADO

*Apagar desde APAGADO a ENCENDIDO restaura por un periodo de estabilización 60 seg., y hace que el detector se reajuste a su entorno actual. Permanezca a una distancia de al menos 0,5 m (1,5 ft.) del detector para evitar cualquier interrupción del proceso.

**Use ENCENDIDO para los paneles / instalaciones de control aprobados para EN. Sin embargo, muchos instaladores prefieren no tener el relevador de la alarma abierto durante un evento de enmascaramiento.

Instalación

Soporte de instalación (véase figura 3) – Fije firmemente el soporte en un muro o pilar estable. La orientación del soporte fijo debe ser tan paralela como sea posible a la superficie del terreno examinada.

Cableado

Lleve a cabo el cableado (véase figura 3, paso 8 al 10)

Ajustes

Ajuste los ángulos verticales y horizontales del detector (véase figura 4, paso 1 al 6), de acuerdo a la superficie de terreno a ser vigilada y cierre el detector como se muestra en la figura 3, pasos 7 al 12.

La posición del indicador del ángulo vertical para distintas alturas de instalación y combinaciones de distancias de cubierta se detallan en la tabla 2 (la información se refiera a una superficie relativamente plana. Sin embargo, en todos los casos la correcta instalación se deberá verificar vía una caminata de prueba.).

Tabla 6: Referencia de ajuste vertical

Altura de montaje	Distancia de cobertura					
	2 m / 6,7 ft	4 m / 13 ft	6 m / 20 ft	8 m / 26 ft	10 m / 33 ft	12 m / 39 ft
3,0 m / 9,8 ft	-	1	2	2	3	3
2,5 m / 8,2 ft	1	1	2	3	4	4
2,0 m / 6,7 ft	1	2	3	4	5	5
1,5 m / 4,9 ft	2	3	4	5	5	-

3,0 m / 9,8 ft	-	1	2	2	3	3
2,5 m / 8,2 ft	1	1	2	3	4	4
2,0 m / 6,7 ft	1	2	3	4	5	5
1,5 m / 4,9 ft	2	3	4	5	5	-

Nota: La celdas sombreadas en gris de la tabla 2 son las alternativas recomendadas para la instalación para reducir aún más las falsas alarmas debido a las mascotas.

Nota: Para disminuir las falsas alarmas, que pueden ser generadas por las mascotas, se recomienda instalar el detector a una altura de 2 a 2,5 metros de la superficie del piso. Además, el ajuste vertical deberá estar fijo en la posición #4 o #5. Se recomienda apuntar el detector hacia un fondo, tal como paredes, casas, cercas, pero no hacia un espacio abierto.

Prueba

A. El detector entra al modo de "Caminata de prueba" después de que uno de los siguientes eventos sucede:

- El término del periodo de estabilización de 60 segundos.
- El cambio de la posición del DIP-SW1 de ENCENDIDO a APAGADO.
- El estado de prueba del TST cambia de ENCENDIDO a APAGADO.

Nota: Sin importar cuales sean los ajustes de la entrada DIP-SW1 y TST, las indicaciones de la alarma y el LED AM estarán habilitadas durante el modo de Caminata de prueba. Cruzar un solo rayo hace que el LED rojo parpadee dos veces.

B. Camine dentro el campo de visión del detector en el extremo más alejado del área que espera vigilar. Asegúrese de que cada vez que sus movimientos sean detectados el LED rojo se enciende por dos segundos y que el panel de control recibe la alarma. De ser necesario, realice reajustes horizontales/verticales del detector.

¡Importante! De instrucciones para que el usuario realice una caminata de prueba una vez por semana para verificar que el detector funciona adecuadamente.

C. Coloque un trozo de cartón en la parte delantera del detector para bloquear deliberadamente la ventana óptica. Después de 2 minutos, el LED amarillo debe encenderse (véase la tabla 3) y el panel de control de alarma deberá recibir la alarma de enmascaramiento.

D. Retire el cartón de la parte delantera del detector. El LED deberá apagarse (después de aproximadamente 30 segundos).

Tabla 7: Operación del LED

Evento/estado	Indicación
Corriente baja	Parpadeo rojo
Calentándose (60 seg.)	Amarillo + rojo parpadeando alternadamente
Falla de autoevaluación	Amarillo + rojo parpadeando simultáneamente
Detección AM	Amarillo ENCENDIDO
ALARMA	Rojo ENCENDIDO por 2 seg.
Cruce del rayo durante la caminata de prueba	Doble parpadeo rojo

Tabla 8: Salidas de relevador

Evento/estado	Salida de relevador	
	Problema	Alarma
Falla total del suministro de energía	Abierto	Abierto
En espera	Cerrado	Cerrado
Corriente baja	Abierto	Cerrado
Falla de autoevaluación	Abierto	Cerrado
Detección AM DIP-SW4 = ENCENDIDO	Abierto	Abierto
Detección AM DIP-SW4 = APAGADO	Abierto	Cerrado
Alarma	Cerrado	Abierto por 2 seg.

Cierre de la cubierta

Véase figura 4, pasos 7 al 10.

Figura 7: Instalación

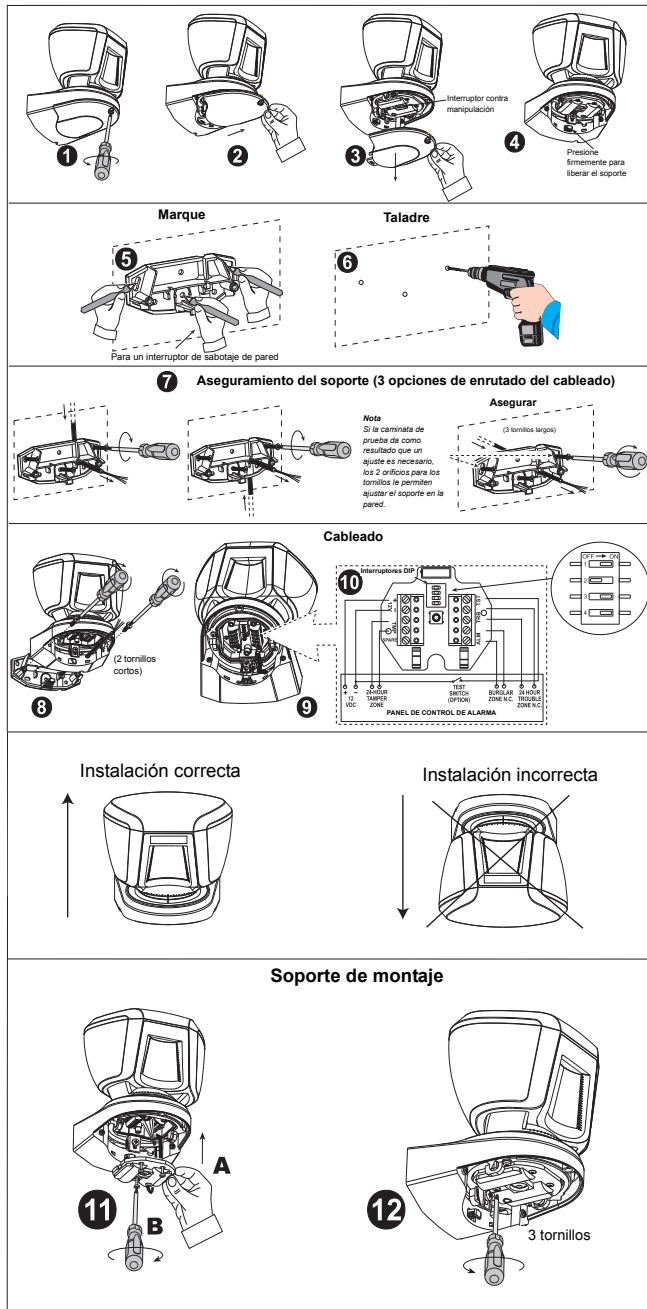
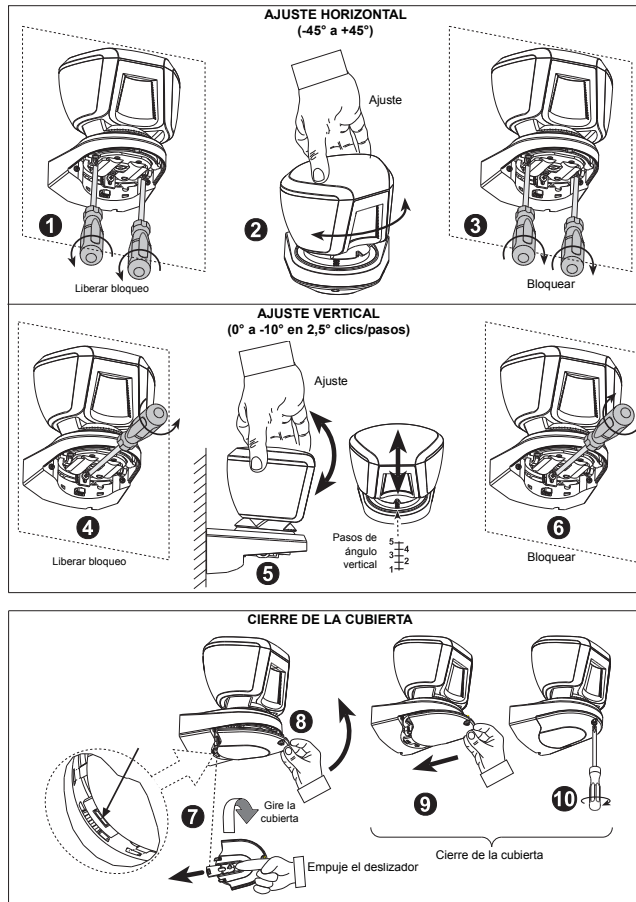


Figura 8: Ajuste y cierre de la cubierta



Comentarios varios

Este equipo ha sido probado y se concluye que cumple con los límites para un dispositivo digital Clase B, de conformidad con la Parte 15 de las regulaciones de la FCC. Estos límites están diseñados para proporcionar una protección razonable contra interferencia dañina en una instalación residencial. Este equipo genera, usa y puede irradiar energía de frecuencia de radio y, si no se instala y usa de conformidad con las instrucciones, puede provocar interferencia dañina para las radiocomunicaciones. No obstante, no hay garantía de que no ocurra interferencia en una instalación en particular. Si este equipo genera una interferencia dañina a la recepción de radio y televisión, lo que se puede determinar al apagar y encender el equipo, se alienta al usuario a tratar de corregir la interferencia llevando a cabo una o más de las siguientes medidas:

- Reoriente o reubique la antena de recepción.
- Aumente la distancia de separación entre el equipo y el receptor.
- Conecte el equipo en un contacto de un circuito diferente al que está conectado el receptor.
- Consulte al representante comercial o un técnico de TV/radio experimentado.

Advertencia de la FCC! Las modificaciones sin la autorización expresa de Visonic Ltd. puede anular la autorización del usuario para operar el equipo bajo el reglamento de la FCC.

Garantía Limitada

Digital Security Controls garantiza que durante un periodo de 12 meses a partir de la fecha de compra, el producto permanecerá sin defectos en materiales y mano de obra bajo condiciones normales de uso y que el cumplimiento de cualquier violación de dicha garantía, Digital Security Controls deberá, según lo decida, reparar o sustituir el equipo

defectuoso mediante la devolución del equipo al taller de reparaciones. Esta garantía es válida únicamente para defectos en piezas y mano de obra y no para daños ocurridos durante el embarque o manipulación, o daño debido a causas fuera del control de Digital Security Controls tales como relámpagos, voltaje excesivo, choque mecánico, daño por agua, o daños surgidos debido al abuso, alteración o aplicación inapropiada del equipo. La garantía actual deberá aplicarse exclusivamente al comprador original, y deberá sustituir a cualquier otra garantía, ya sea explícita o implícitamente y de todas las obligaciones o responsabilidades de parte de Digital Security Controls. Digital Security Controls no asume o autoriza a cualquier otra persona para que actúe en su representación, para modificar o cambiar esta garantía, ni para asumir cualquier otra garantía o responsabilidad concerniente a este producto.

En ningún caso será Digital Security Controls responsable de ningún daño directo, indirecto o derivado, lucro cesante, pérdida de tiempo o de ninguna otra pérdida sufrida por el comprador en conexión con la compra, instalación o funcionamiento o fallos del presente producto.

Los detectores de movimiento solamente pueden detectar movimiento dentro de las áreas designadas como se muestra en las respectivas instrucciones de instalación. Los detectores de movimiento no pueden discriminar entre intrusos y los que habitan el local o residencia. Los detectores de movimiento no proporcionan un área de protección volumétrica. Estos poseen múltiples rayos de detección y el movimiento solamente puede ser detectado en áreas no obstruidas que están cubiertas por estos rayos. Ellos no pueden detectar movimiento que ocurre detrás de las paredes, cielo rasos, pisos, puertas cerradas, separaciones de vidrio, puertas o ventanas de vidrio. Cualquier clase de sabotaje ya sea intencional o sin intención tales como encubrimiento, pintando o regando cualquier tipo de material en los lentes, espejos, ventanas o cualquier otra parte del sistema de detección perjudicará su correcta operación.

Los detectores de movimiento pasivos infrarrojos operan detectando cambios en la temperatura. Sin embargo su efectividad puede ser reducida cuando la temperatura del ambiente aumenta o disminuye de la temperatura del cuerpo o si hay orígenes intencionales o sin intención de calor en o cerca del área de detección. Algunos de los orígenes de calor pueden ser calentadores, radiadores, estufas, asadores, chimeneas, luz solar, ventiladores de vapor, alumbrado y así sucesivamente.

Advertencia: Digital Security Controls Ltd., recomienda que todo el sistema sea completamente probado en forma regular. Sin embargo, a pesar de las pruebas frecuentes, y debido a, pero no limitado a, sabotaje criminal o interrupción eléctrica, es posible que este producto falle en trabajar como es esperado.

Información importante: Las modificaciones sin la autorización expresa de Visonic Ltd. puede anular la autorización del usuario para operar este equipo.

W.E.E.E. Declaración de reciclaje del producto



Para obtener información acerca del reciclaje de este producto debe ponerse en contacto con la compañía de la cual lo adquirió. Si piensa desechar este producto y no devolverlo para su reparación, entonces debe asegurarse que regresará como su proveedor lo identifica. Este producto no debe desecharse en la basura ordinaria. Directiva 2002/96/EC de Desecho de Equipo Eléctrico y Electrónico.



© 2017 Tyco Security Products y sus compañías respectivas. Todos los derechos reservados. Las marcas registradas, logotipos y las marcas de servicio mostradas en este documento están registradas en los Estados Unidos [u otros países]. Queda estrictamente prohibido cualquier mal uso de la marca registrada y

Tyco Security Products. hará cumplir de manera agresiva sus derechos de propiedad intelectual con todo el peso de la ley, incluyendo el inicio de un proceso penal cuando sea necesario. Todas las marcas registradas no pertenecientes a Tyco Security Products son propiedad de sus respectivos propietarios, y se utilizan con permiso o según lo permitido por la legislación vigente.

Los productos ofrecidos y sus especificaciones están sujetos a modificaciones sin previo aviso. Los productos reales pueden diferir de las fotos. No todos los productos incluyen todas las funciones. La disponibilidad varía según la región; contacte con su representante de ventas.

Toronto, Canadá • www.dsc.com • Impreso en Israel • Soporte técnico: 1-800-387-3630 (Canadá, Estados Unidos), 905-760-3000

LC-181

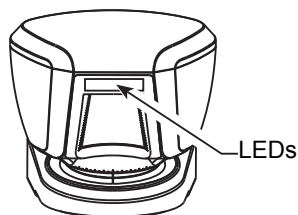
Instruções de Instalação do Detector de Espelho Externo Octa-Quad™ com Antimascaramento

Introdução

Características do detector

- 8 detectores quad PIR independentes (Octa-QUAD™) patenteados operando em uma verdadeira configuração Quad, com processamento de reconhecimento de movimento genuíno (TMR) para cada um dos 8 detectores PIR e processamento central de movimentos, capaz de distinguir um intruso em movimento de uma árvore ou arbusto se movendo.
- Sistema óptico avançado Obsidian Black Mirror™ (patente pendente).
- Alta proteção contra neve, chuva, poeira, vento e luz solar direta.
- Proteção antivolação contra abertura e remoção da parede.
- O LED do alarme é visível na luz solar.
- Detecção de baixa tensão
- Autoteste
- Invólucro robusto com abertura embutida.
- Sistema antimascaramento inteligente capaz de distinguir entre o mascaramento por spray e uma chuva.
- Imunidade a alarmes falsos causados por pequenos animais de estimação.
- Suporte giratório incluído.

Figura 9: LC-181



Especificações

Ópticas

Cobertura máx. do espelho negro: No mínimo 12 metros (40 pés)/90°.

Tecnologia do detector: 8 detectores PIR quad independentes operando em uma verdadeira configuração Quad.

Imunidade a animais de estimação: Pequenos animais de estimação.

Elétricas

Voltagem de entrada: 8 a 16 V CC

Corrente em standby: 15 mA a 12 V CC.

Corrente de alimentação: Máx. de 70 mA (LEDs vermelhos e amarelos constantemente acessos)

Detecção de baixa tensão: Se a tensão de entrada estiver abaixo de 7,5 V CC.

Saídas

Saída de alarme: Relé de estado sólido. NF, 100 mA / 30 V, resistência interna máxima de 35 ohms. (consulte a Tabela 4).

Saída de problemas: Relé de estado sólido. NF, 100 mA / 30 V CC, resistência interna máxima de 35 ohms. (consulte a Tabela 4).

Saída de violação: Chave NF, 50 mA / 30 V CC. Ela fica "Aberta" por meio da abertura da tampa do detector ou de sua remoção da superfície de montagem.

Atraso da detecção de mascaramento: 120 seg.

Entrada de habilitação remota de LEDs (TST): Entrada de alta impedância. Afeta o funcionamento dos LEDs apenas se o seletor interno de LEDs estiver DESLIGADO.

Montagem

Tipo de montagem: Montagem na parede

Altura de montagem: 1,5 a 3 metros (5 a 10 pés)

Ajuste vertical: 0° a -10°, em estágios de 2,5°.

Ajuste horizontal: -45° a +45°, em estágios de 5°.

Ambientais

Temperatura de funcionamento: -35 °C a 60 °C (-31 °F a 140 °F)

Temperatura de armazenamento: -35 °C a 60 °C (-31 °F a 140 °F)

Umidade: Máx. de 95%

Imunidade a luz branca: Acima de 25.000 lux

Físicas

Dimensões (altura x comprimento x largura):

157 x 147 x 124 mm (6-3/16 x 5-13/16 x 4-7/8 pol.).

Peso: 600 g (21 onças)

Cor: Branca

Conformidade com as normas

CE

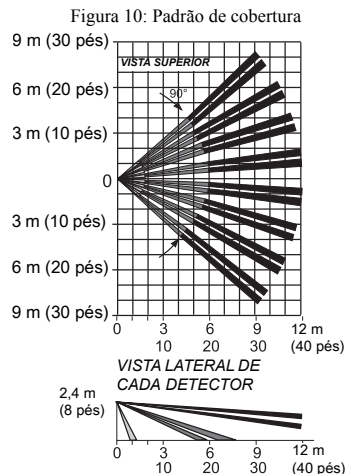
FCC CFR 47, Parte 15

IP 55

Projetado para a conformidade com:

EN 50131-2-2, Categoria de Segurança 2, Classe Ambiental IV.

Patentes nos EUA: 7250605, 6818881 e 5693943. Outras patentes pendentes.



Instalação

Ajuste das chaves DIP

Remova as tampas inferiores do detector (consulte a Figura 3, passos 4-8) para ter acesso às chaves DIP. Ajuste as chaves DIP de acordo com a Tabela 1:

Tabela 9: Ajuste da chave DIP

Nº DA CHAVE DIP	Função	Descrição	Padrão
1	LEDs LIGADOS/ DESLIGADOS	LIGADO: Os LEDs de alarme de movimento e mascaramento são habilitados (LIGADO). DESLIGADO: Os LEDs de alarme de movimento e mascaramento são desabilitados (DESLIGADO). Eles podem ser habilitados pela entrada TST (Ativar "baixo")	LIGADO
2	Sensibilidade do PIR	LIGADO: Sensibilidade alta do PIR. DESLIGADO: Sensibilidade normal do PIR.	DESLIGADO
3	AM LIGADO/ DESLIGADO	LIGADO: AM ligado DESLIGADO: AM desligado *	LIGADO
4	Um evento de mascaramento faz o relé de alarme se abrir (padrão das normas EN)	LIGADO: um evento de mascaramento é comunicado ao painel como PROBLEMA e ALARME (padrão das normas EN). Os relés de problemas e de alarme são abertos ao mesmo tempo.** DESLIGADO: um evento de mascaramento é comunicado ao painel como PROBLEMA (o relé de problemas é aberto).	DESLIGADO

*Ao passar de DESLIGADO para LIGADO, o detector é reiniciado por um período de estabilização de 60 segundos a fim de se readaptar ao seu ambiente atual. Permaneça a uma distância mínima de 0,5 metros (1,5 pé) do detector para evitar a interrupção desse processo.

**Utilize LIGADO para painéis de controle e instalações aprovados pelas normas EN. Entretanto, muitos instaladores preferem não deixar o relé de ALARME aberto em um evento de mascaramento.

Instalação

Instalação do suporte (consulte a Figura 3): fixe firmemente o suporte em uma parede ou coluna estável. A orientação do suporte fixado tem de ser tão paralela quanto possível à superfície de espaço vigiada.

Fiação

Instale a fiação (consulte a Figura 3, passos 8-10)

Ajustes

Ajuste os ângulos horizontal e vertical do detector (consulte a Fig. 4, passos 1-6) de acordo com a superfície de espaço vigiada e feche o detector, como mostrado na Fig. 3, passos 7-12.

A posição do indicador do ângulo vertical para várias combinações entre a altura de instalação e a distância de cobertura é detalhada na Tabela 2 (os dados se referem a uma área vigiada relativamente plana. Entretanto, a instalação correta sempre deve ser verificada com um teste de caminhada).

Tabela 10: Referência de ajuste vertical

Altura de montagem	Distância de cobertura					
	2 m / 6,7 pés	4 m / 13 pés	6 m / 20 pés	8 m / 26 pés	10 m / 33 pés	12 m / 39 pés
3,0 m / 9,8 pés	-	1	2	2	3	3
2,5 m / 8,2 pés	1	1	2	3	4	4
2,0 m / 6,7 pés	1	2	3	4	5	5
1,5 m / 4,9 pés	2	3	4	5	5	-

Nota: As células destacadas em cinza na Tabela 2 são as alternativas de instalação recomendadas para reduzir ainda mais os alarmes falsos de animais de estimação.

Nota: Para diminuir os alarmes falsos, que podem ser provocados por animais de estimação, recomenda-se instalar o detector a uma altura de 2 a 2,5 metros da superfície do solo. Além disso, o ajuste vertical deve ser fixado na posição #4 ou #5. Recomenda-se apontar o detector para um fundo tal como paredes, casas, cercas, mas não em direção a espaços abertos.

Teste

A. O detector entra no modo de teste de caminhada após a ocorrência de um dos seguintes eventos:

- Quando o período de estabilização de 60 segundos termina.
- Quando a posição da CHAVE DIP 1 muda de DESLIGADO para LIGADO.
- Quando o estado da entrada TST muda de DESLIGADO para LIGADO.

Nota: Independentemente dos ajustes da CHAVE DIP 1 e da entrada TST, o alarme e as indicações de LED de AM são habilitadas no modo de teste de caminhada. Quando o único feixe é atravessado, o LED vermelho pisca duas vezes.

B. Caminhe no campo de visão do detector até o limite mais distante esperado da área de cobertura. A cada vez que um movimento seu for detectado, verifique se as luzes de LED vermelhas se acendem por 2 segundos e se o painel de controle recebe o alarme. Se necessário, faça ajustes adicionais horizontais ou verticais no detector.

Importante! Instrua o usuário a realizar um teste de caminhada pelo menos uma vez por semana, a fim de garantir o funcionamento adequado do detector.

C. Coloque um pedaço de papelão na frente do detector para mascarar deliberadamente o visor ótico. Após 2 minutos, o LED amarelo deve acender (consulte a Tabela 3) e o painel de controle do alarme deve receber o alarme de mascaramento.

D. Remova o mascaramento da frente do detector. O LED deve apagar (após cerca de 30 segundos).

Tabela 11: Operação do LED

Evento/Status	Indicação
Baixa tensão	Pisca em vermelho
Aquecimento (60 seg.)	Pisca alternadamente em amarelo + vermelho
Falha no autoteste	Pisca simultaneamente em amarelo + vermelho
Detecção de AM	Amarelo LIGADO
ALARME	Vermelho LIGADO por 2 seg.
Passagem pelo feixe durante o teste de caminhada	Pisca duas vezes em vermelho

Tabela 12: Saídas dos relés

Evento/Status	Saída do relé	
	Problema	Alarme
Falha total de alimentação	Aberta	Aberta
Standby	Fechada	Fechada
Baixa tensão	Aberta	Fechada
Falha no autoteste	Aberta	Fechada
CHAVE DIP 4 de detecção de AM = LIGADA	Aberta	Aberta
CHAVE DIP 4 de detecção de AM = DESLIGADA	Aberta	Fechada
Alarme	Fechada	Aberta por 2 seg.

Fechamento da tampa

Consulte a Figura 4, passos 7-10.

Figura 11: Instalação

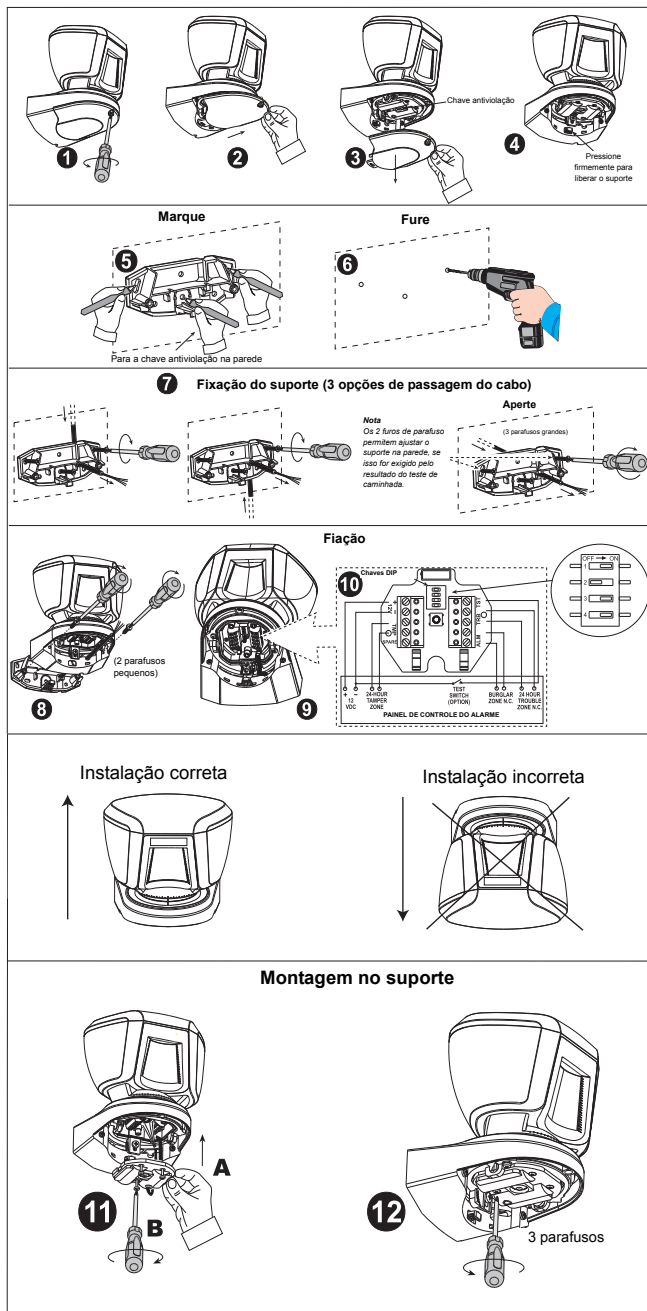
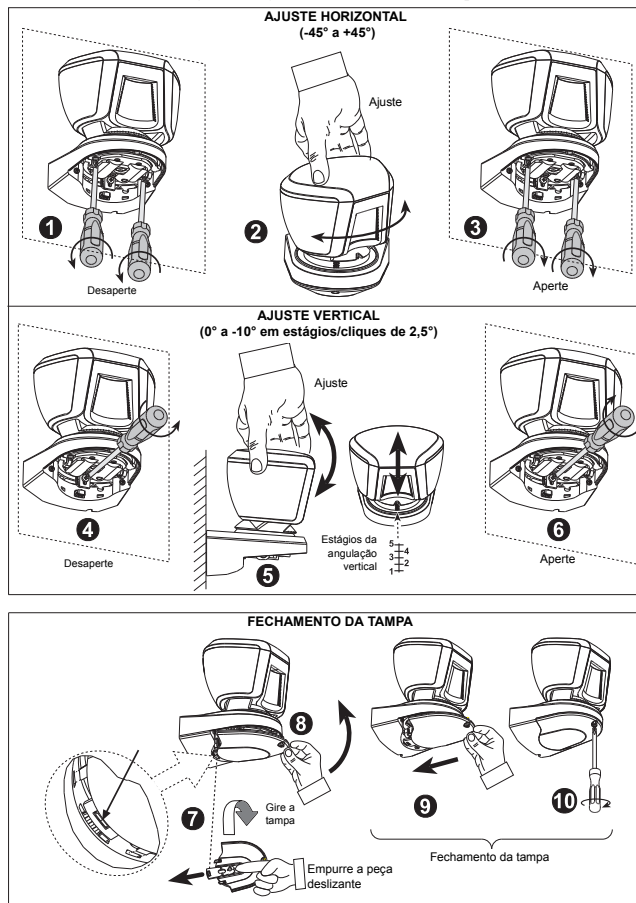


Figura 12: Ajuste e fechamento da tampa



Observações diversas

Este equipamento foi testado e considerado em conformidade com os limites para dispositivos digitais de Classe B, no cumprimento da Parte 15 das Normas FCC. Esses limites são criados para fornecer uma proteção razoável contra interferências prejudiciais em uma instalação residencial. Este equipamento gera, usa e pode irradiar energia de radiofrequência e, se não for instalado e usado de acordo com as instruções, pode causar interferência prejudicial às comunicações por rádio. No entanto, não há garantia de que não haverá interferência em uma instalação em particular. Se o equipamento causar interferências nocivas à recepção de rádio ou televisão, o que pode ser verificado ao ligar e desligar o equipamento, o usuário poderá tentar corrigir a interferência com uma ou mais das seguintes medidas:

- Redirecione ou reposicione a antena de recepção.
- Aumente a distância entre o equipamento e o receptor.
- Conecte o equipamento a uma tomada em um circuito diferente daquele que ao qual o receptor está conectado.
- Consulte o revendedor ou um técnico experiente de rádio/TV.

Aviso da FCC! Modificações não expressamente aprovadas pela Visonic Ltd. podem invalidar a autoridade do usuário para operar este equipamento sob as normas da FCC.

Garantia Limitada

A Digital Security Controls garante que, durante um período de 12 meses a partir da data de compra do produto, o produto permanecerá sem qualquer defeito, de material ou de fabrico, de acordo com uma utilização normal e que no caso de qualquer incumprimento de tal garantia a Digital Security Controls irá, segundo seu critério, reparar ou substituir o equipamento defeituoso após a devolução do mesmo ao centro de reparação. Esta garantia

aplica-se apenas a defeitos de peças e de fabrico, e não a danos durante a expedição ou por manuseio, ou a danos devido a causas fora do controle da Digital Security Controls, como raios, excesso de voltagem, choque mecânico, danos causados pela água, ou danos resultantes de abusos, alterações ou aplicação incorreta do equipamento.

Esta garantia aplica-se apenas ao comprador original, e substitui, e substituirá sempre, qualquer outra garantia, expressa ou implícita, e todas as obrigações ou responsabilidades adicionais da Digital Security Controls. A Digital Security Controls não assume nenhuma responsabilidade nem autoriza qualquer outra pessoa que pretenda agir em seu nome para modificar ou alterar esta garantia, nem para assumir por ela qualquer outra garantia ou responsabilidade referente a este produto.

Em nenhum caso será a Digital Security Controls responsável por qualquer dano direto, indireto ou consequential, por perda de lucros antecipados, perda de tempo ou qualquer outra perda incorrida pelo comprador em relação à compra, instalação ou funcionamento deste produto.

Os detectores de movimento podem detectar movimento somente dentro das áreas designadas, como mostrado nas suas respectivas instruções de instalação. Eles não podem discriminar entre intrusos e ocupantes internos. Os detectores de movimento não oferecem proteção da área volumétrica. Eles têm múltiplos feixes de detecção e o movimento pode somente ser detectado em áreas não obstruídas cobertas por estes feixes. Eles não podem detectar movimento que ocorre atrás das paredes, tetos, pisos, portas fechadas, partições de vidro, portas ou janelas de vidro. Qualquer tipo de violação, seja intencional ou não intencional, tais como mascaramento, pintura ou borrifação de qualquer material nos sensores, espelhos, janelas ou qualquer outra parte do sistema de detecção, prejudicará sua operação adequada.

Os detectores de movimento com infravermelho passivo operam detectando alterações na temperatura. Entretanto, a sua eficácia pode ser reduzida quando a temperatura ambiente aumentar para próximo ou acima da temperatura do corpo ou se houver fontes de calor intencionais ou não intencionais dentro ou próximas da área de detecção. Algumas destas fontes de calor podem ser aquecedores, radiadores, estufas, churrasqueiras, lareiras, luz solar, vaporizadores, iluminação, etc.

Aviso: A Digital Security Controls recomenda que o sistema inteiro seja completamente testado regularmente. No entanto, apesar do teste frequente e devido, mas não limitado a, violação criminal ou interrupção elétrica, é possível que este produto falhe ao realizar o planejamento.

Informação importante: Alterações ou modificações sem a aprovação expressa da Digital Security Controls podem invalidar a autoridade do usuário para operar este equipamento.

REEE Declaração sobre a reciclagem de produtos



Para saber mais a respeito da reciclagem deste produto, entre em contato com a empresa de onde você originalmente o comprou. Se você pretende se desfazer deste produto e não entregá-lo para conserto, certifique-se de que ele seja devolvido da forma identificada pelo seu fornecedor. **Este produto não deve ser descartado junto com o lixo comum.** Diretiva 2002/96/EC, Descarte de Equipamentos Elétricos e Eletrônicos.



© 2017 Tyco Security Products e Respetivas Empresas. Todos os direitos reservados. As marcas comerciais, logotipos e marcas de serviço exibidas neste documento são registrados nos Estados Unidos [ou em outros países]. Qualquer uso indevido das marcas comerciais é estritamente proibido, e

a Tyco Security Products fará seus direitos de propriedade intelectual serem rigorosamente cumpridos em toda a extensão da lei, incluindo a prossecução de processo criminal, sempre que necessário. Todas as marcas registradas não detidas pela Tyco Security Products são propriedade de seus respetivos proprietários e são usadas com permissão ou permitidas conforme leis aplicáveis.

As ofertas e especificações do equipamento são sujeitas a alteração sem aviso prévio. Os produtos reais podem ser diferentes das fotos. Nem todos os produtos incluem todas as funções. A disponibilidade varia por região; contate seu representante de vendas.

Toronto, Canadá • www.dsc.com • Impresso em Israel • Assistência Técnica: 1-800-387-3630 (CA, US), 905-760-3000

D-306806 Rev 0 (05/17)



29009961R001